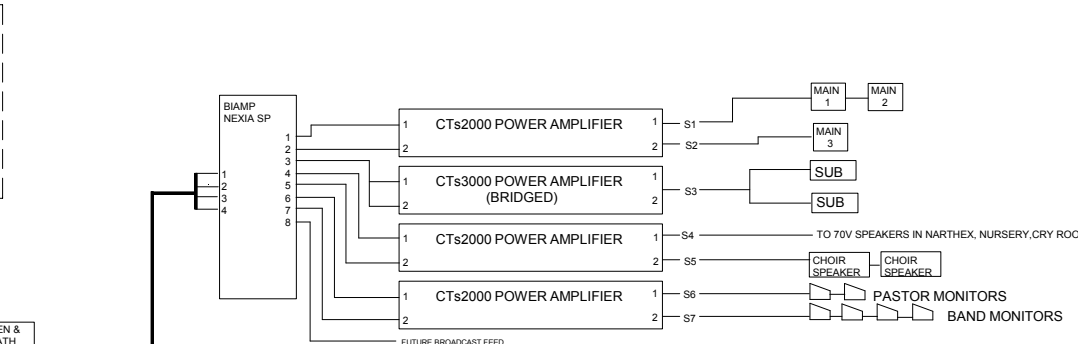
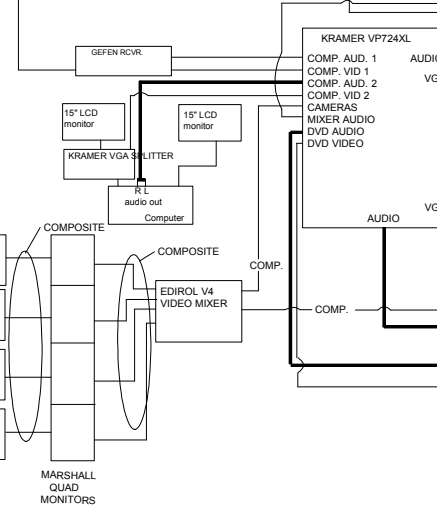
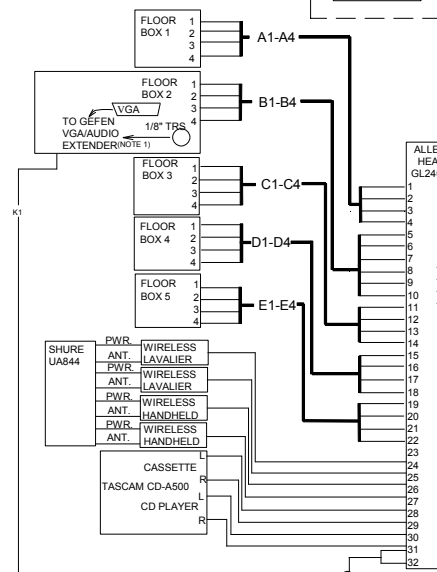
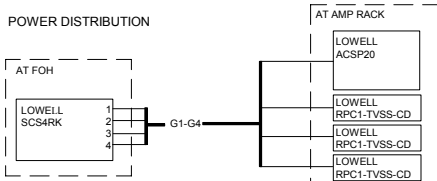


POWER DISTRIBUTION



- NOTES:
 1. GEFEN VGA/AUDIO EXTENDER UNDER PANEL IN FLOOR BOX.
 2. CABLES A - G ARE 454.
 3. CABLES K1 - K8 ARE CAT. 5.
 4. THE ONE EXTERNAL COMPOSITE CABLE IS NOT NUMBERED.

